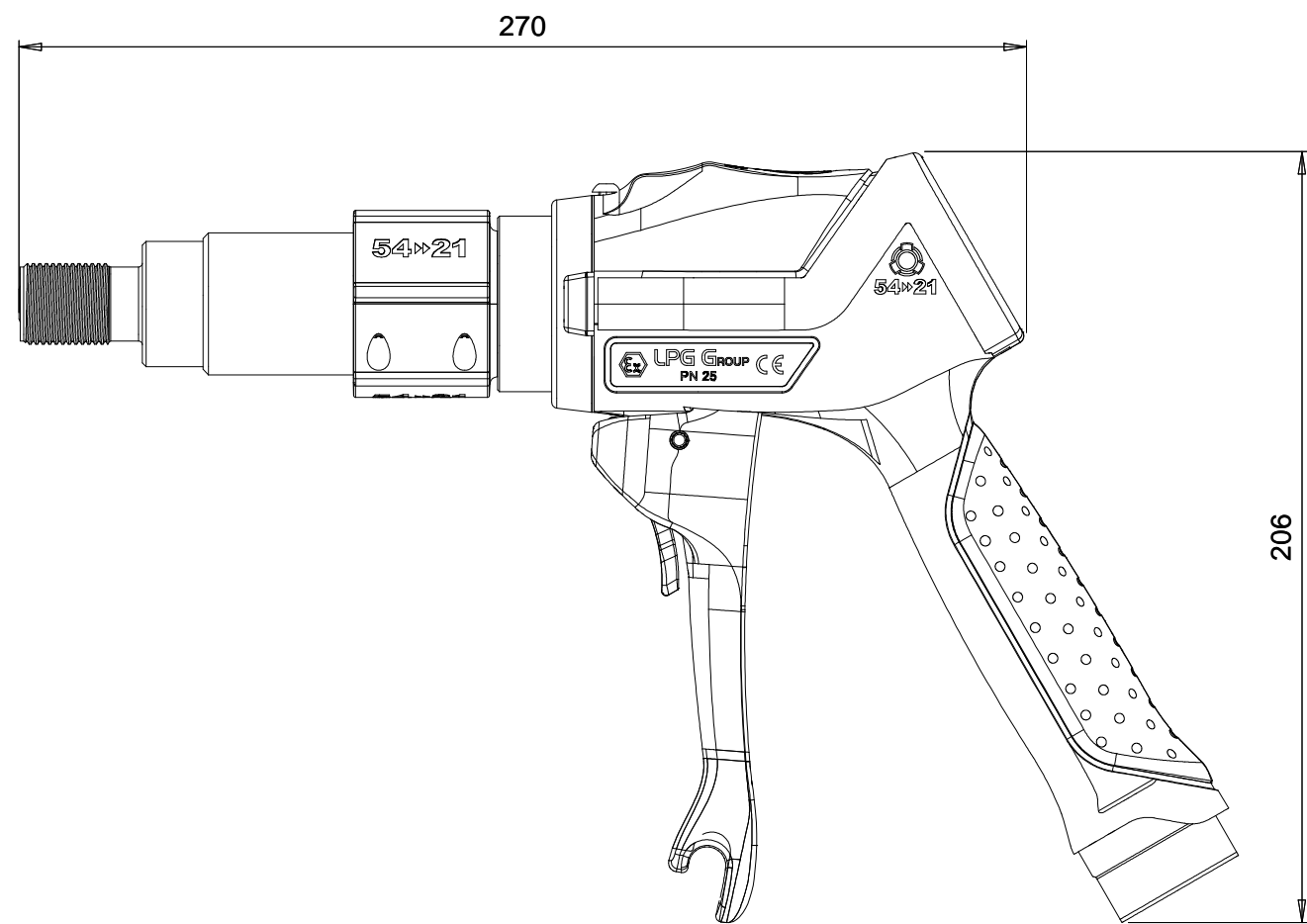


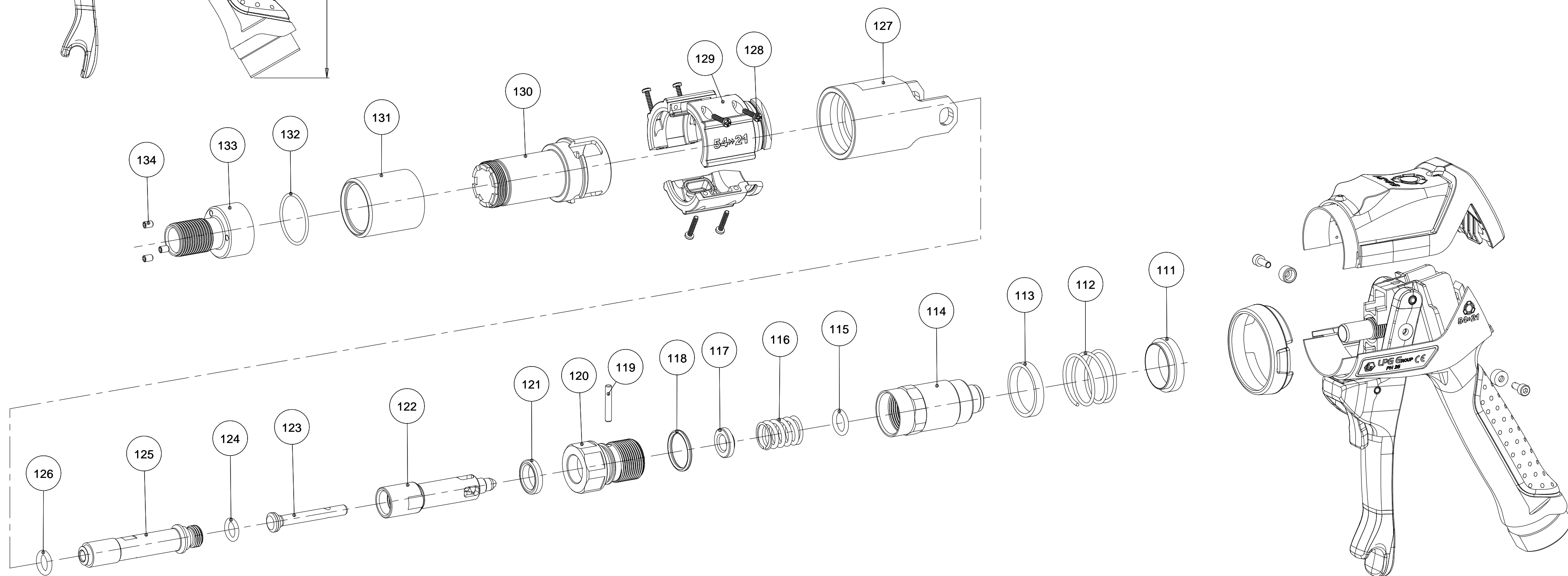
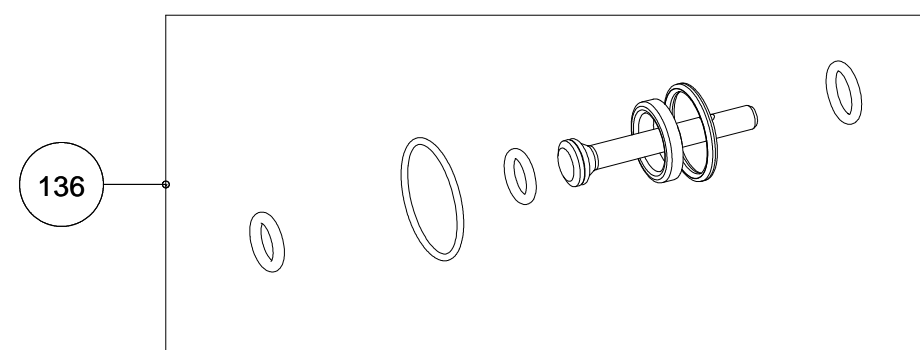
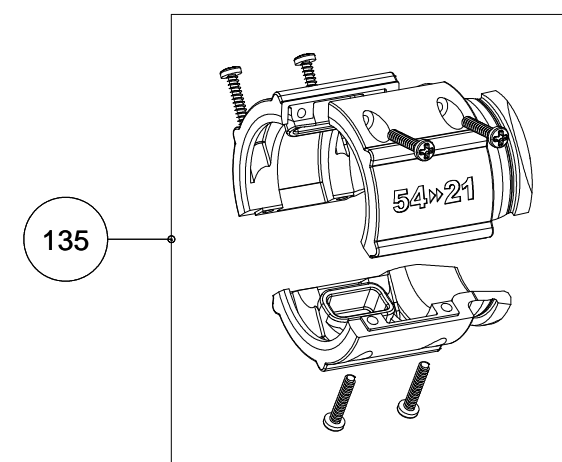
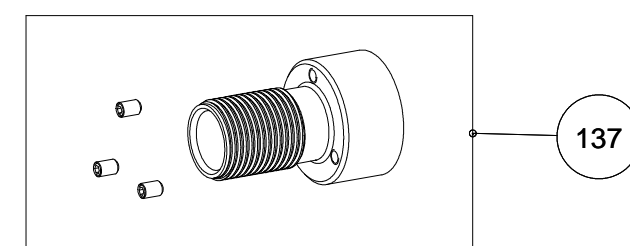


# 5421 SCREW RD



Maximum operating pressure	25 Bar
Static test	40 Bar
Dynamic test	25 Bar
Maximum flow rate	40 l/min at 8 Bar
Release of gas when disconnected	2,9 cm <sup>3</sup>
Operating temperature	-30 °C - +65 °C
Weight	1,35 Kg
Type of coupling	Screw
Hooking on car	Screw hooking bush
Swivel connection	1" GAS - 3/4 NPT - M30x1,5
Sleeve made of anti-spark material	
Antistatic body and plastic materials	 
Possibility of working	Liquid GAS; Propane; Butane; Mixtures
Standard / Norms	EN 13760. EN12806
Explosion hazard zones	Group II, Zone G2



N.	Description	Code	Qt.	Note
111	SHAVING RING	5421_121_M1	1	
112	RETURN SPRING	5421_123	1	
113	SHAVING RING	5421_122_M1	1	
114	VALVE BODY	5421_115_M2	1	
115	O-RING 115	5421_331	1	
116	VALVE SPRING	5421_125	1	
117	WASHER	5421_124	1	
118	O-RING 128	5421_333	1	
119	HEAD PIN	5421_305	1	

N.	Description	Code	Qt.	Note
120	HEAD VALVE SCREW	5421_175	1	
121	LIP GASKET DI062	LPG_0207	1	
122	VALVE PLUNGER SCREW	5421_196_M1	1	
123	VALVE PIN 118	5421_375_M1	1	
124	O-RING 112	5421_335	1	
125	STEM VALVE SCREW	5421_197	1	
126	ORM 0090-30	5421_336	1	
127	SLEEVE A/S	5421_179	1	
128	SCREW	5421_320	6	

N.	Description	Code	Qt.	Note
129	EXTERNAL FERRULE A/S	5421_181	3	
130	HOOKING BUSH SCREW	5421_198	1	
131	EXTERNAL SPACER SCREW	5421_199	1	
132	O-RING 2118	5421_337	1	
133	HOOKING HEAD SCREW	5421_195	1	
134	GRAIN M4x6 PP	5421_324	3	
135	EXTERNAL FERRULE KIT	5421_382	1	
136	GASKET SCREW KIT	5421_344	1	
137	HOOKING HEAD SCREW KIT	5421_380	1	

