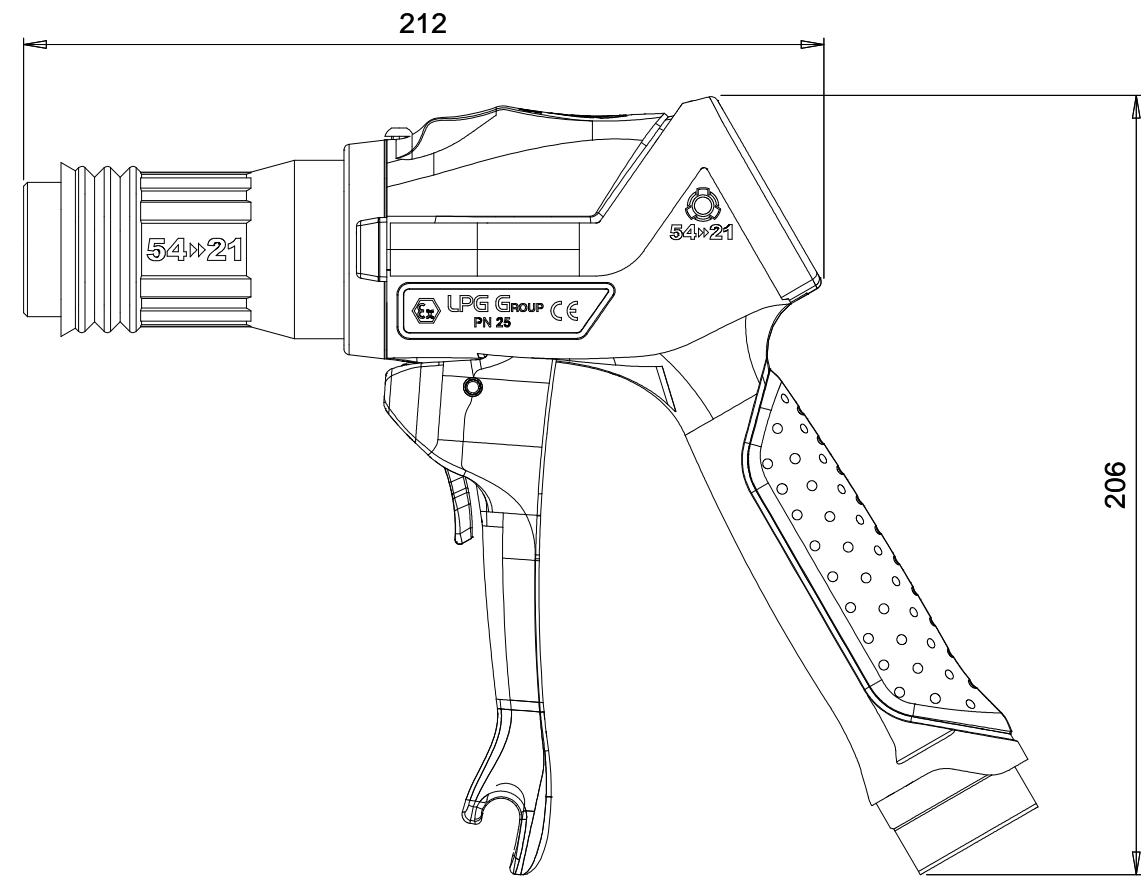
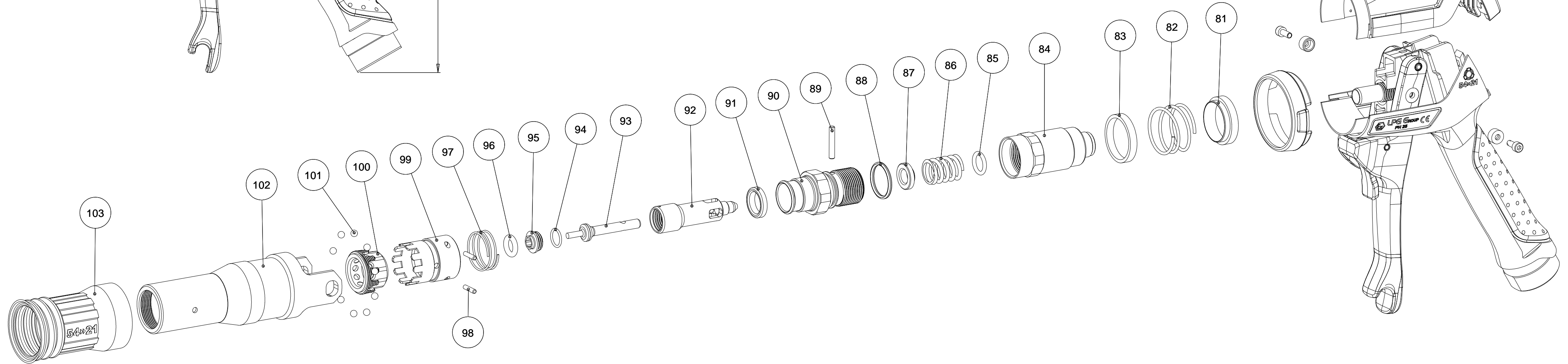
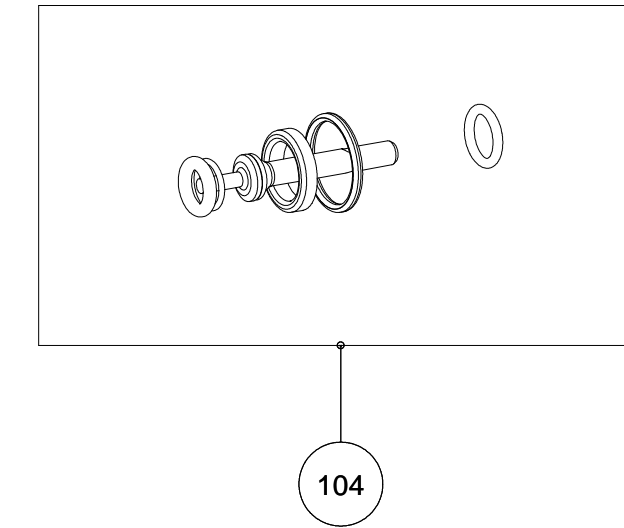


5421 KOREA BALL



Maximum operating pressure	25 Bar
Static test	40 Bar
Dynamic test	25 Bar
Maximum flow rate	40 l/min at 8 Bar
Release of gas when disconnected	1,3 cm ³
Operating temperature	-30 °C - +65 °C
Weight	1,25 Kg
Type of coupling	Korea ISO 19825
Hooking on car	Sleeve Korea Ball
Swivel connection	1" GAS-3/4 NPT-M30x1,5
Sleeve made of anti-spark material	
Antistatic body and plastic materials	
Possibility of working	Liquid GAS; Propane; Butane; Mixtures
Standard / Norms	EN 13760. EN12806
Explosion hazard zones	Group II, Zone G2



N.	Description	Code	Qt.	Note
81	SHAVING RING	5421_121_M1	1	
82	RETURN SPRING	5421_123	1	
83	SHAVING RING	5421_122_M1	1	
84	VALVE BODY	5421_115_M2	1	
85	O-RING 115	5421_331	1	
86	VALVE SPRING	5421_125	1	
87	WASHER	5421_124	1	
88	O-RING 128	5421_333	1	

N.	Description	Code	Qt.	Note
89	HEAD PIN	5421_305	1	
90	HEAD VALVE KB	5421_215_M1	1	
91	LIP GASKET DI062	LPG_0207	1	
92	VALVE PLUNGER KB	5421_216_M1	1	
93	VALVE PIN 227	5421_377_M1	1	
94	ORM 0110-15	5421_330	1	
95	HEAD GASKET KB	5421_226	1	
96	O-RING 4036	5421_338	1	

N.	Description	Code	Qt.	Note
97	SPRING BALLS CLOSING BUSH	5421_220	1	
98	PIN D3x14	5421_307	2	
99	BALL CLOSING BUSH KB	5421_217_M1	1	
100	RETAINING RING	5421_218	1	
101	STEEL BALL 3/16	5421_306	10	
102	SLEEVE KB	5421_219_M1	1	
103	BLACK DUST COVER	5421_161	1	
104	GASKET KIT KB	5421_342	1	

