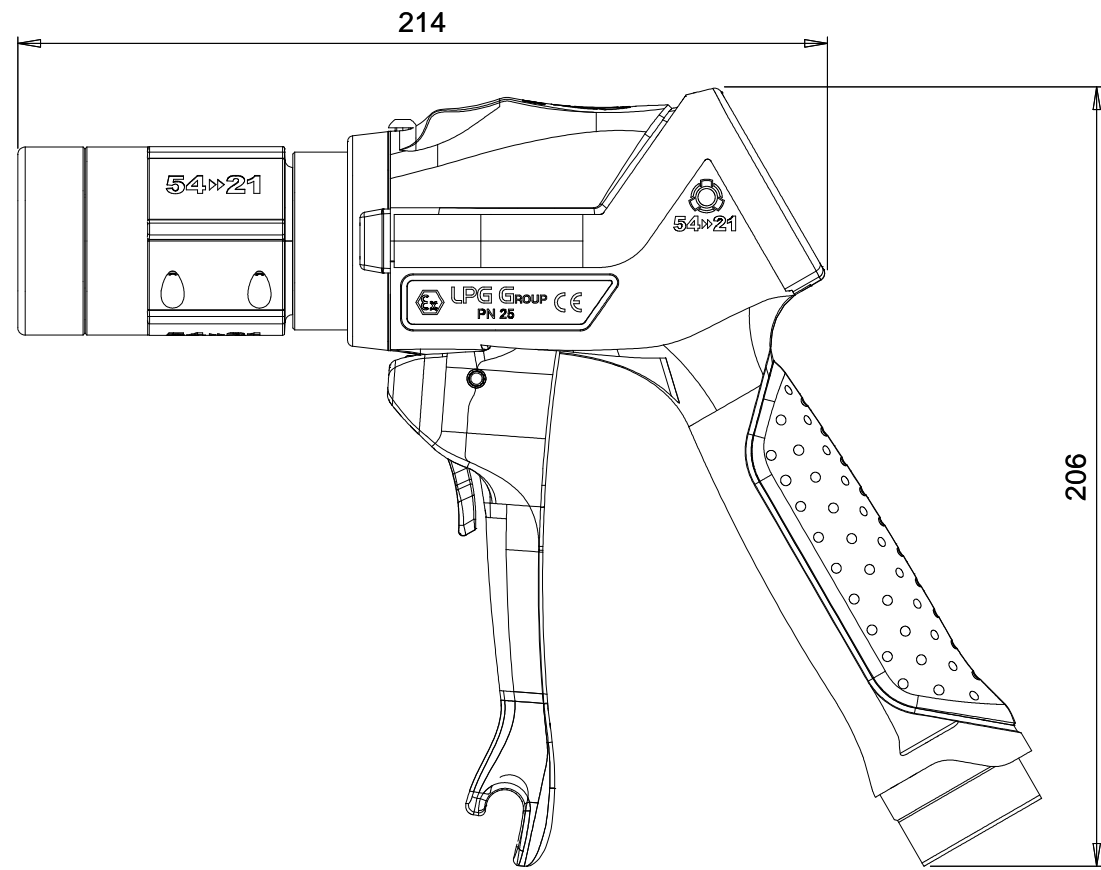
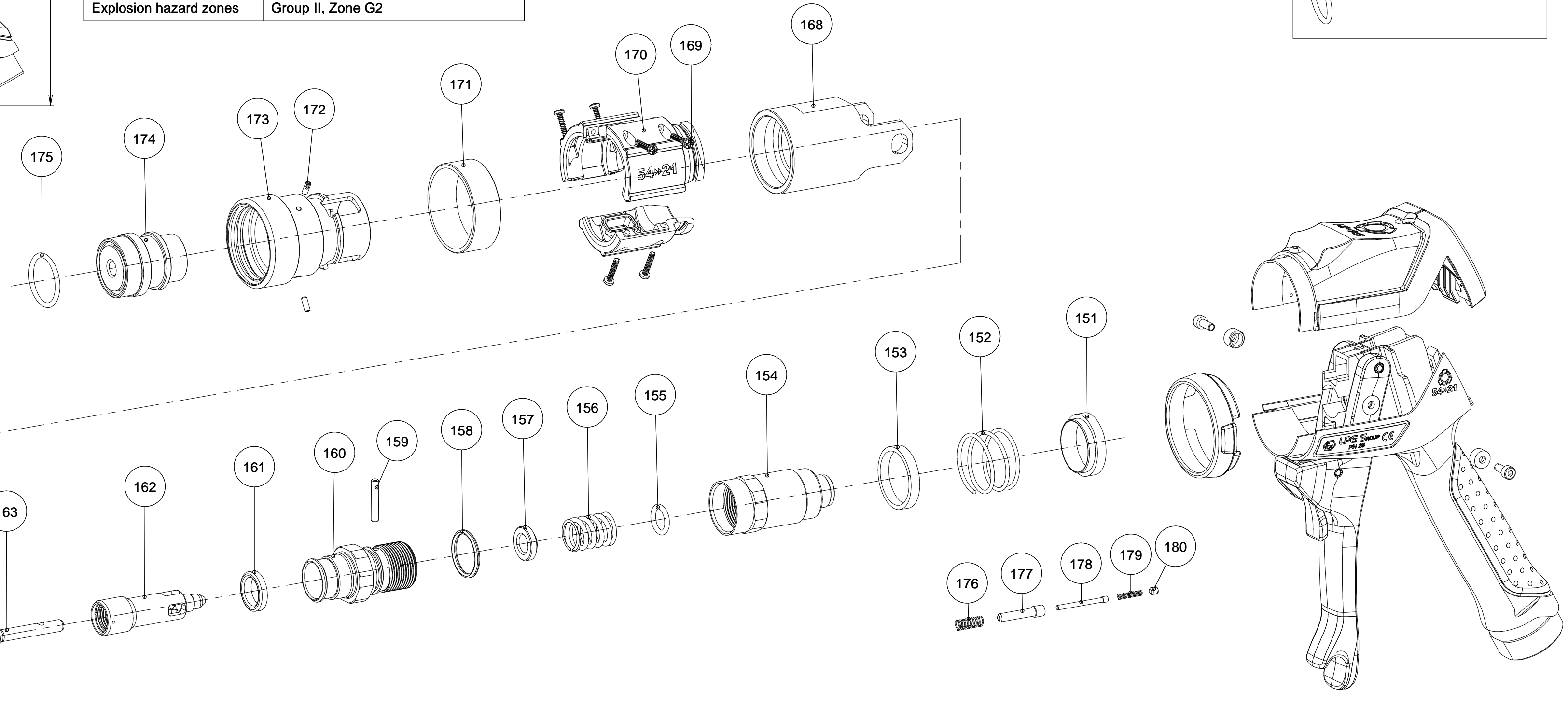
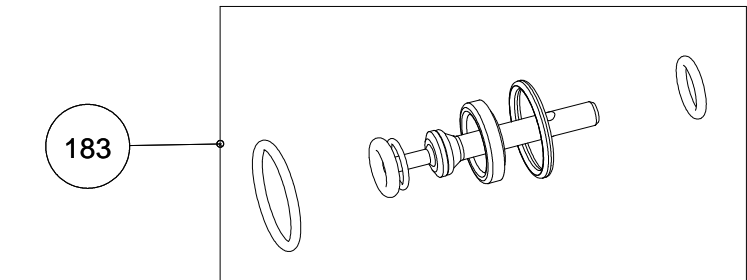
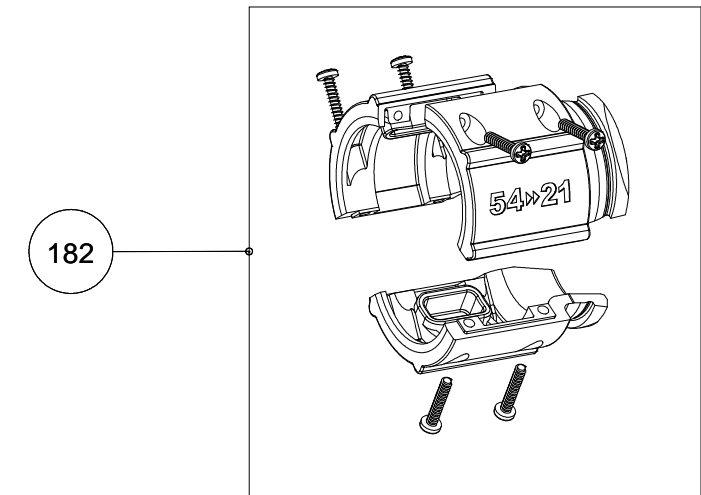
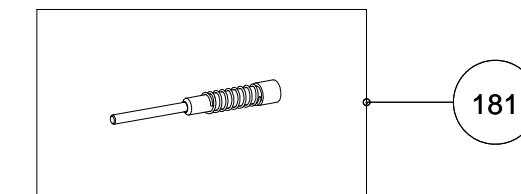


# 5421 ACME



Maximum operating pressure	25 Bar
Static test	40 Bar
Dynamic test	25 Bar
Maximum flow rate	40 l/min at 8 Bar
Release of gas when disconnected	1,35 cm <sup>3</sup>
Operating temperature	-30 °C - +65 °C
Weight	1,20 Kg
Type of coupling	Acme EN 12806
Hooking on car	Acme Hook
Swivel connection	1" GAS - 3/4 NPT - M30x1,5
Sleeve made of anti-spark material	
Antistatic body and plastic materials	
Possibility of working	Liquid GAS; Propane; Butane; Mixtures
Standard / Norms	EN 13760. EN 12806
Explosion hazard zones	Group II, Zone G2



N.	Description	Code	Qt.	Note
151	SHAVING RING	5421_121_M1	1	
152	RETURN SPRING	5421_123	1	
153	SHAVING RING	5421_122_M1	1	
154	VALVE BODY	5421_115_M2	1	
155	O-RING 115	5421_331	1	
156	VALVE SPRING	5421_125	1	
157	WASHER	5421_124	1	
158	O-RING 128	5421_333	1	
159	HEAD PIN	5421_305	1	
160	HEAD VALVE KB	5421_215_M1	1	
161	LIP GASKET DI062	LPG_0207	1	
162	VALVE PLUNGER KB	5421_216_M1	1	

N.	Description	Code	Qt.	Note
163	VALVE PIN 227	5421_377_M1	1	
164	ORM 0110-15	5421_330	1	
165	HEAD GASKET	5421_226	1	
166	O-RING 4036	5421_338	1	
167	SPRING	5421_220	2	
168	SLEEVE A/S	5421_179	1	
169	SCREW	5421_320	6	
170	EXTERNAL FERRULE A/S	5421_181	3	
171	EXTERNAL RING ACME	5421_187	1	
172	GRAIN M3x8 PP	5421_322	3	
173	HOOING BUSH ACME	5421_180	1	

N.	Descrizione	Codice	Q.ta	Note
174	VALVE BUSH ACME	5421_188	1	
175	O-RING 3100	5421_341	1	
176	SECURITY SPRING	5421_185	1	
177	SECURITY BODY PIN	5421_177	1	
178	SECURITY MOVABLE PIN	5421_176	1	
179	INTERNAL SECURITY SPRING	5421_178	1	
180	GRAIN M4x4 PP	5421_323	1	
181	SECURITY BLOCK KIT A/S	5421_184	1	
182	EXTERNAL FERRULE KIT	5421_382	1	
183	ACME GASKET KIT	5421_343	1	

