



SFT 100

PULLAWAY
SERIE 54»21

SFT 200



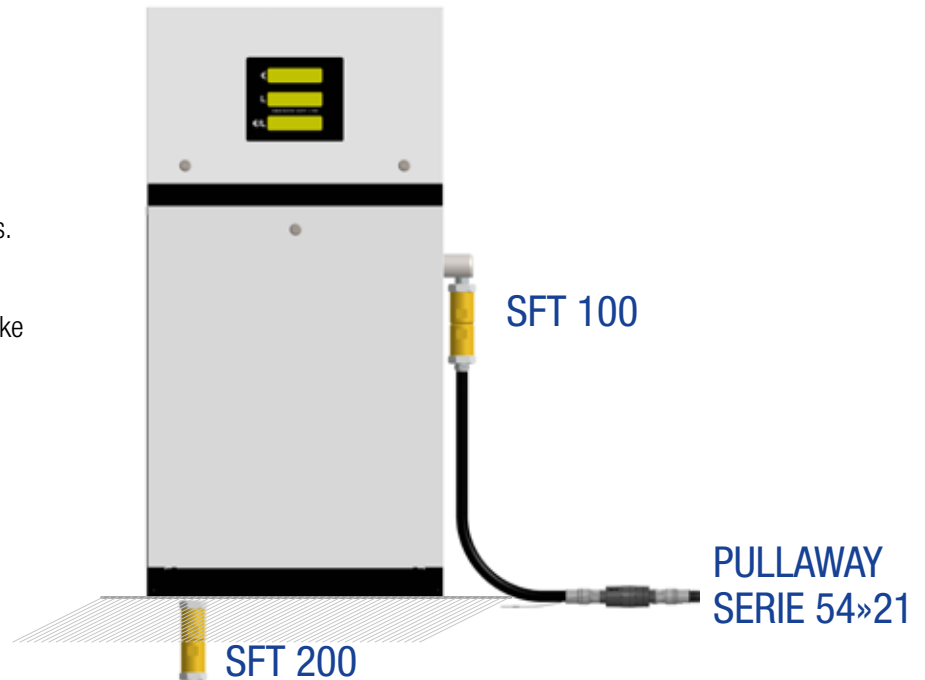
Series

BREAKAWAY - PULLAWAY 54»21

For who wants maximum safety,
in case of accidental start of vehicle
with the nozzle hooking on car taken over.

PULLAWAY 54»21 (reconnectable)
disconnect the nozzle and the tube from the
street lpg dispenser, interrupting the flow of gas.

The SFT 100/200 Series Breakaway
works with the breakup of the sleeve which make
the security vales able to activate themselves
keeping the release of gas.
Sleeves are built with different calibrations
(breaking points) in order to ensure maximum
safety during the use.

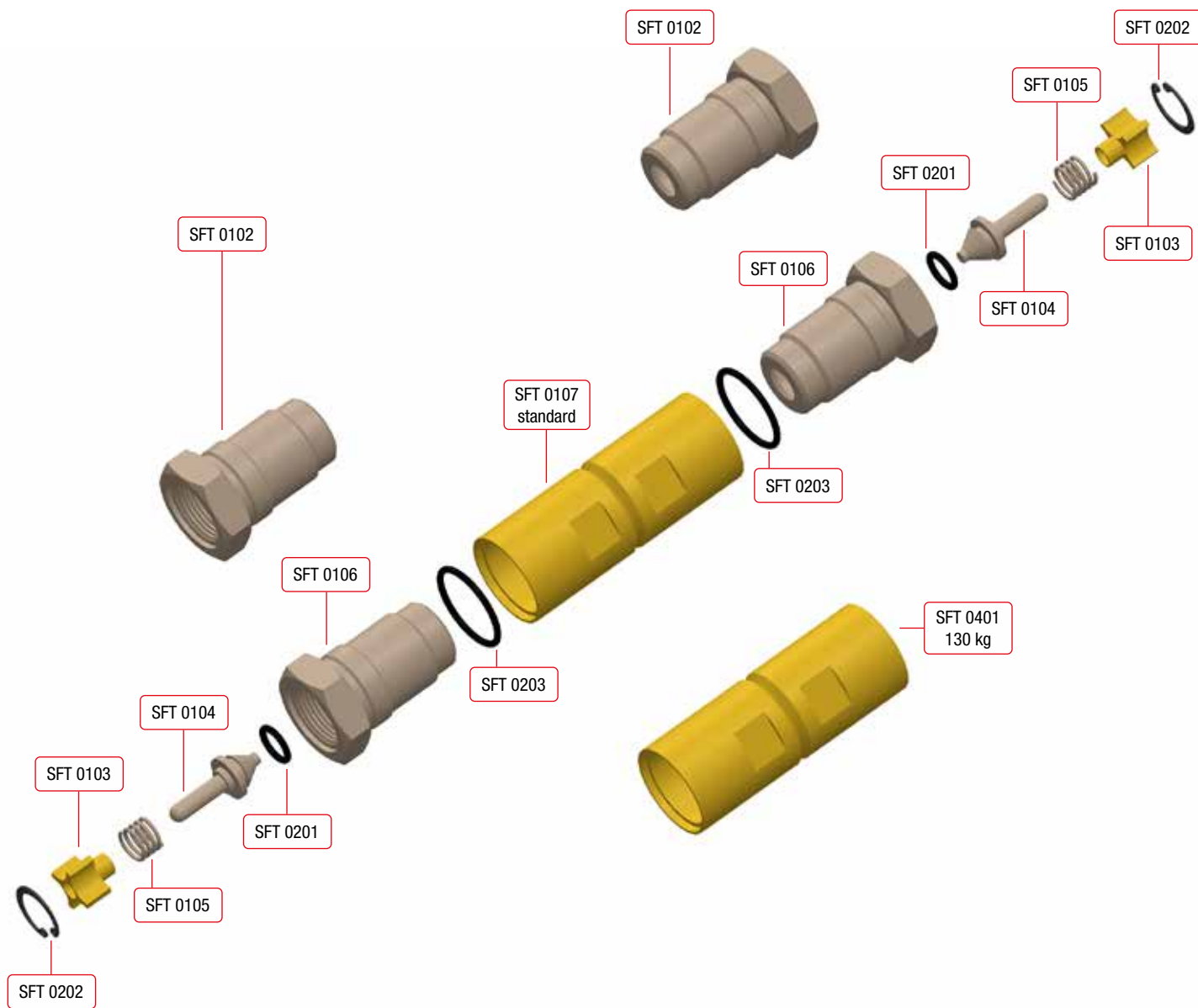


**All of our products
are ATEX certified.**

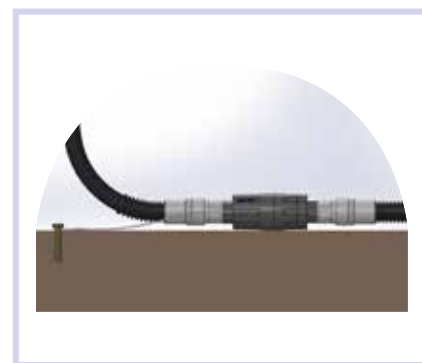
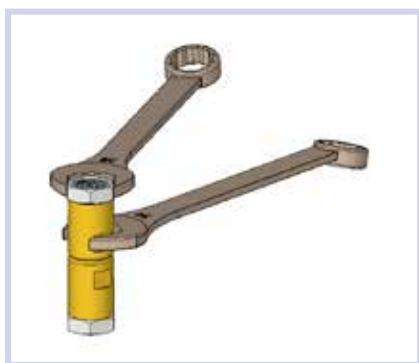


Code	Q.ty	Article	Material
SFT 0102	2	SFT Series Body Valve 3/4 Gas	Steel
SFT 0103	2	SFT Series Guide Valve	Brass
SFT 0104	2	SFT Series Valve	Steel
SFT 0105	2	SFT Series Spring Valve	Steel
SFT 0106	2	SFT Series Body Valve NPT	Steel
SFT 0107	1	SFT Series 8.1 Brass Sleeve	Brass
SFT 0201	2	SFT Series Guide O-Ring	Nbr
SFT 0202	2	SFT Series Seeger	Steel
SFT 0203	2	SFT Series Body O-Ring	Nbr
SFT 0401	1	SFT Series 13.1 Brass Sleeve	Brass

Series BREAKAWAY - PULLAWAY 54»21

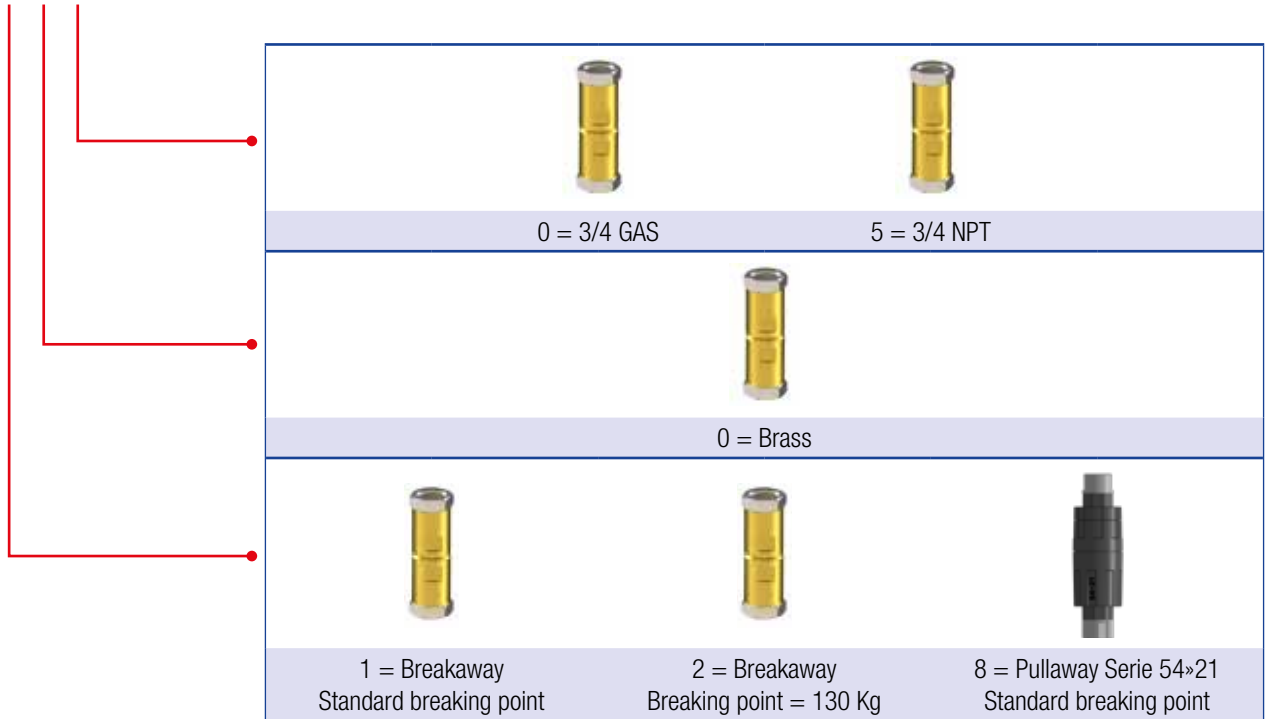


ASSEMBLY INSTRUCTIONS



SFT 100

SFT CONFIGURATOR



BREAKAWAY
MODEL SFT 100



PULLAWAY
SERIE 54x21

BREAKING POINT (BREAKAWAY POINT)

