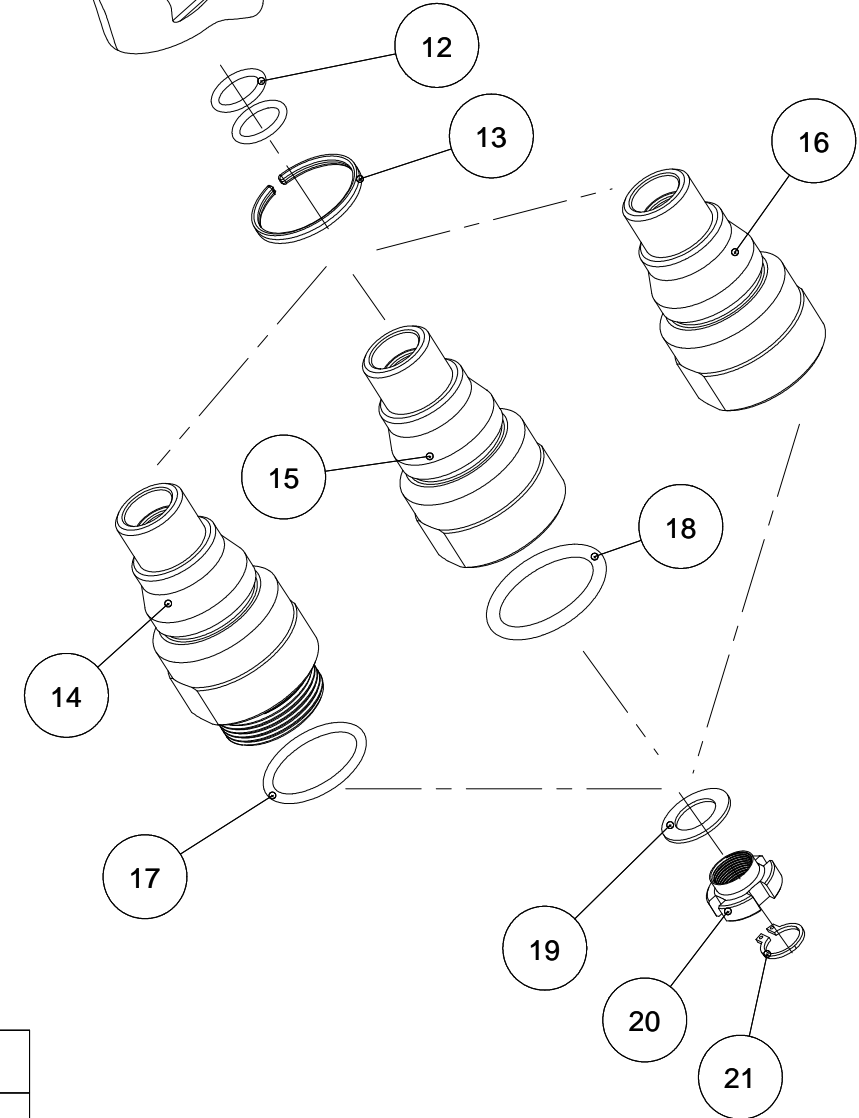
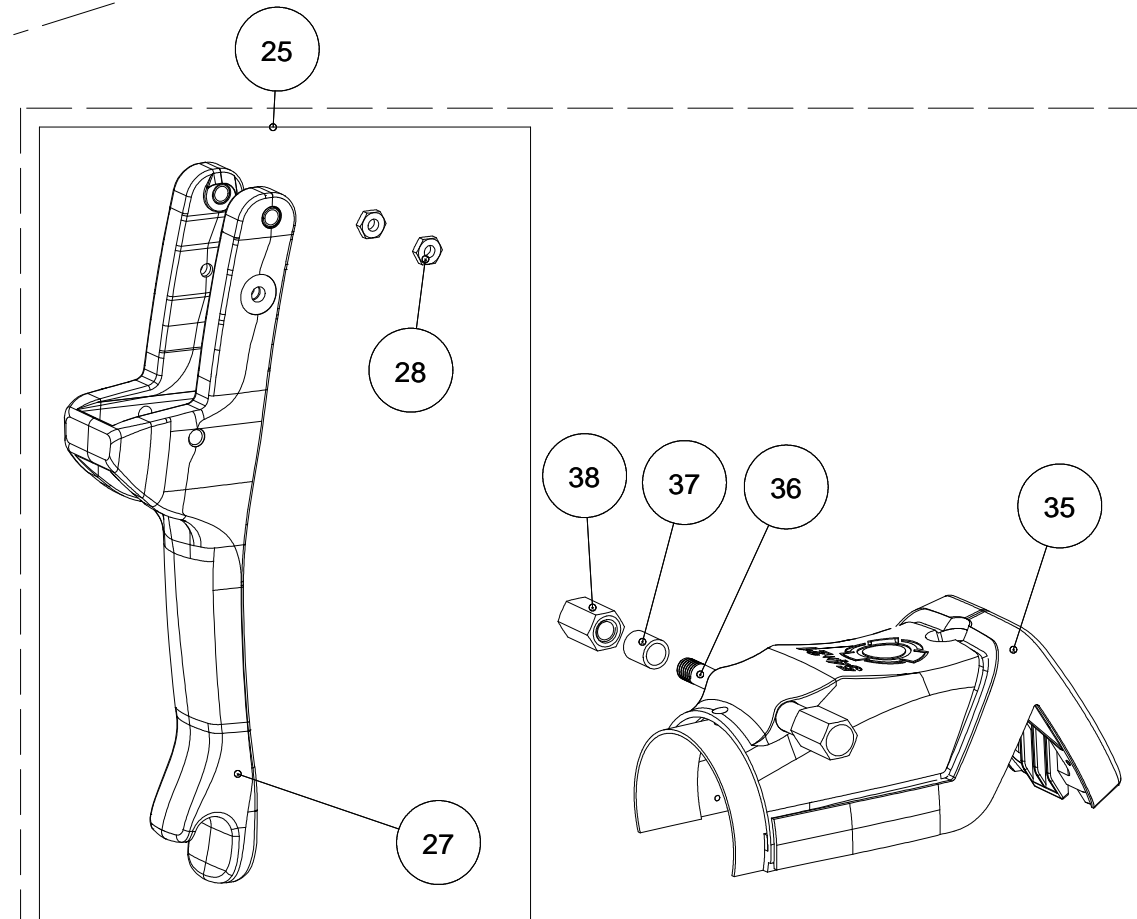
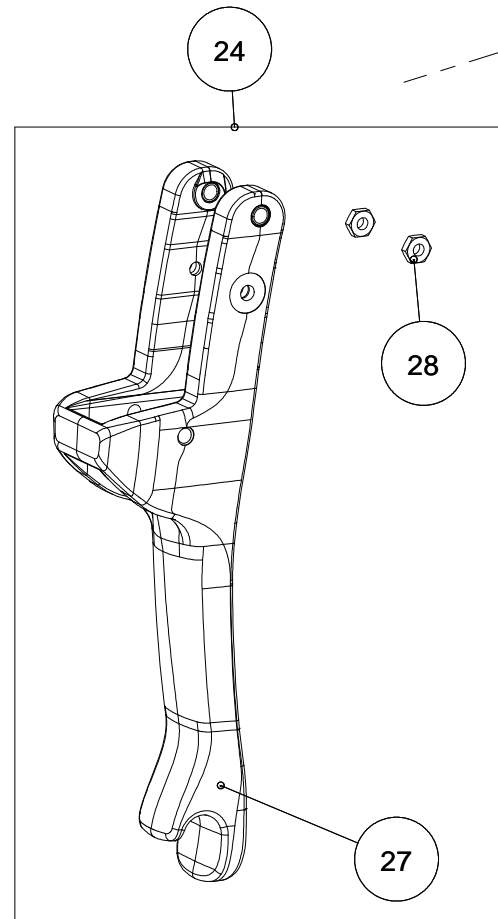
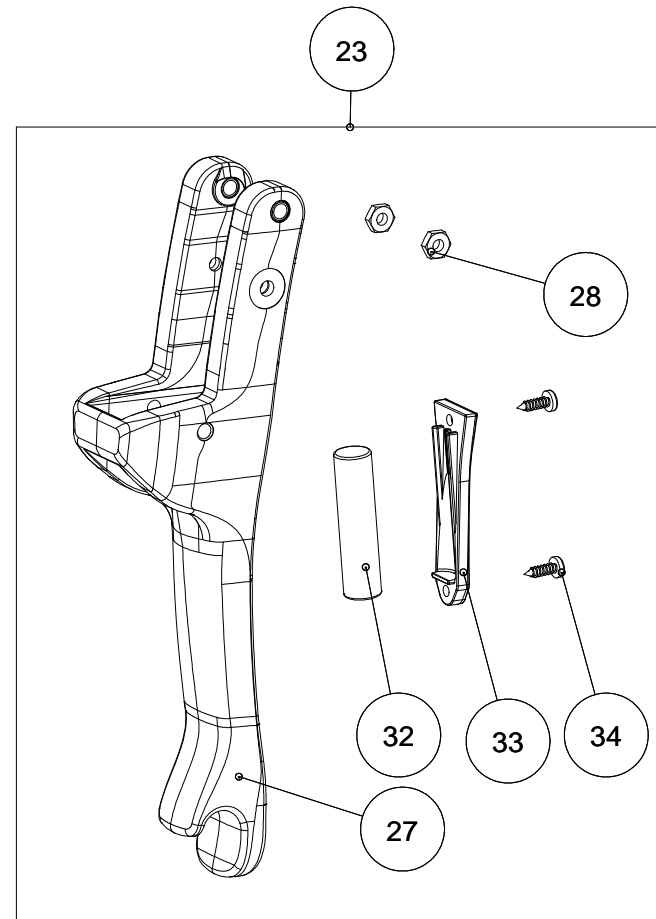
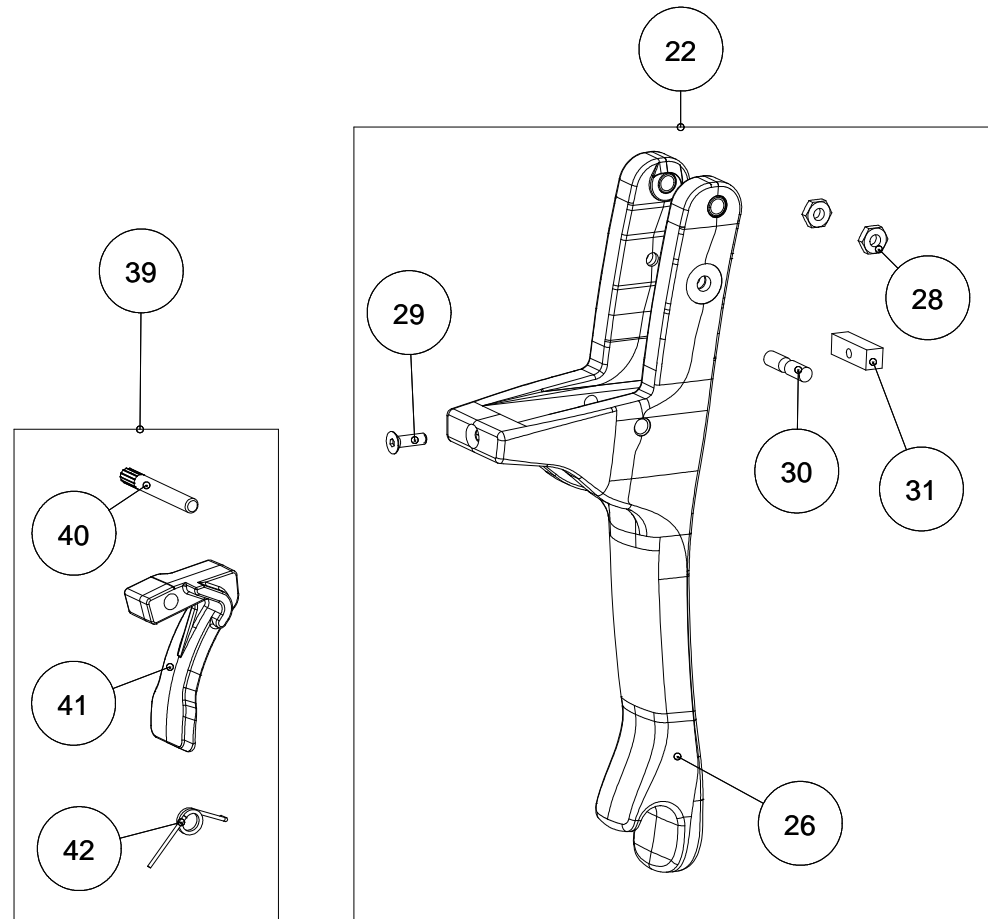
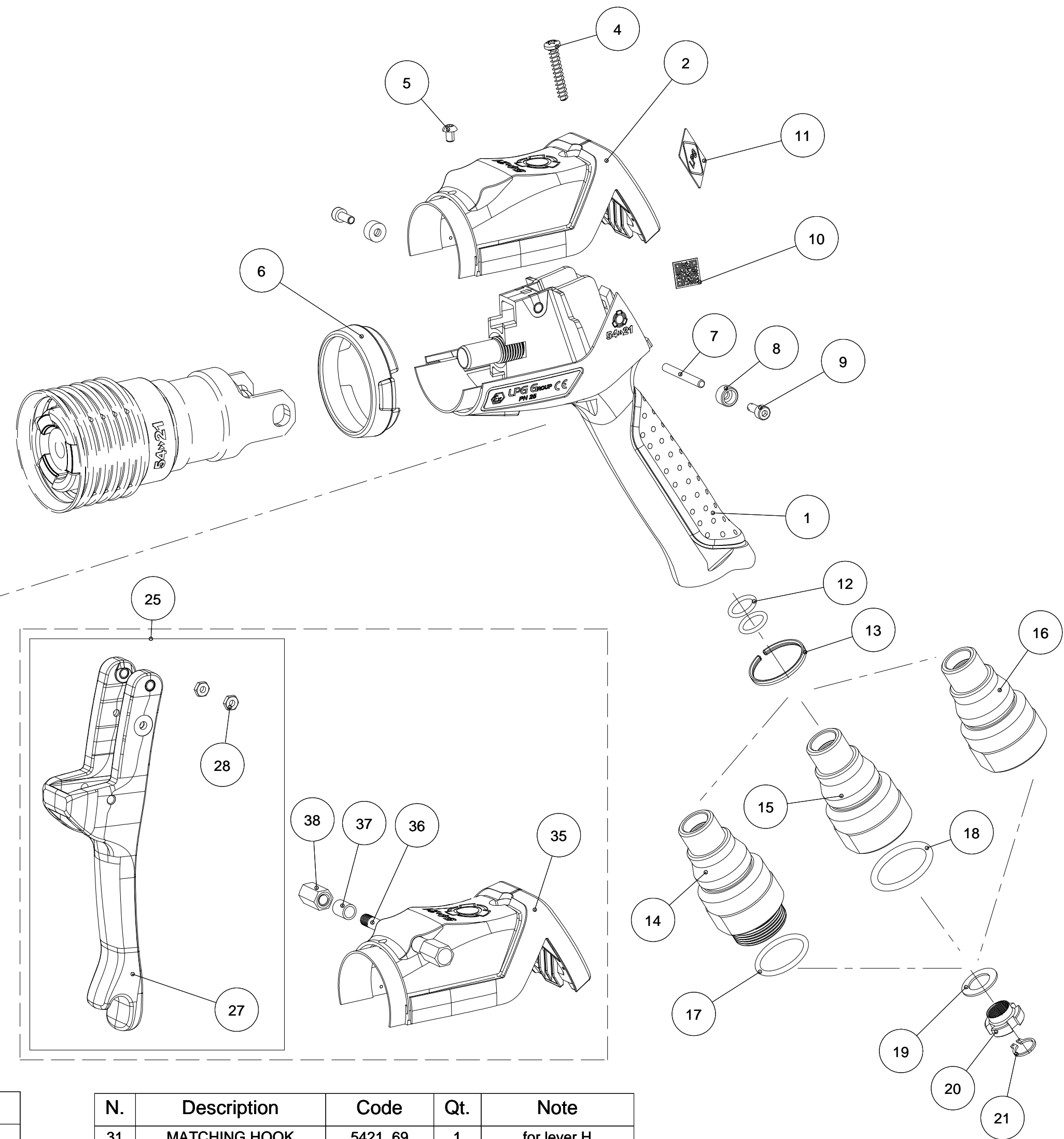
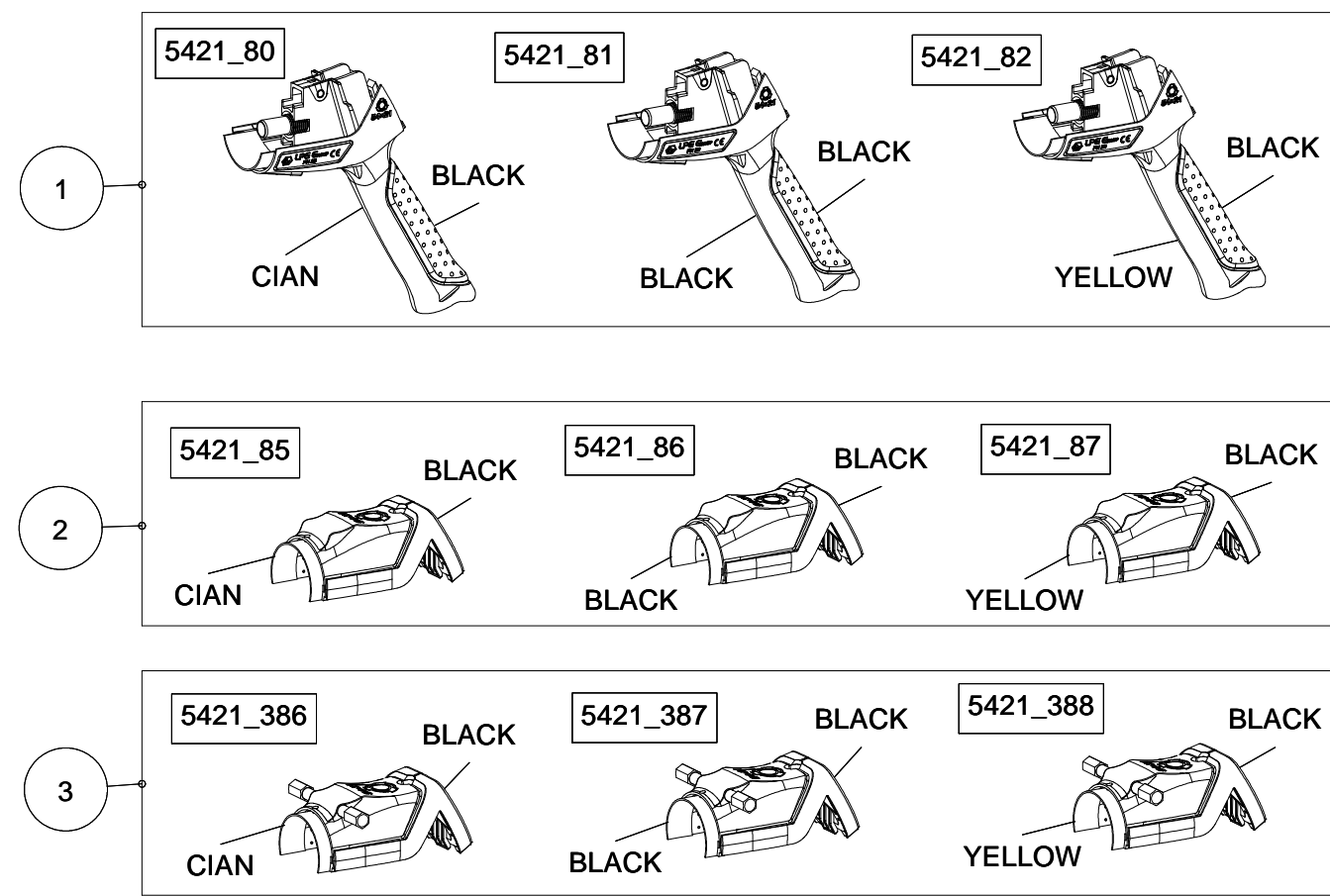


Maximum operating pressure	25 Bar
Static test	40 Bar
Dynamic test	25 Bar
Maximum flow rate	40 l/min 8 Bar
Operating temperature	-30 °C - +60 °C
Antistatic body and plastic materials	



N.	Description	Code	Qt.	Note
1	NOZZLE BODY C	5421_80		C - Cian/Black
1	NOZZLE BODY B	5421_81	1	B - Black/Black
1	NOZZLE BODY Y	5421_82		Y - Yellow/Black
2	NOZZLE COVER C	5421_85		C - Cian/Black
2	NOZZLE COVER B	5421_86	1	B - Black/Black
2	NOZZLE COVER Y	5421_87		Y - Yellow/Black
3	KIT NOZZLE COVER F C	5421_95		C - Cian/Black
3	KIT NOZZLE COVER F B	5421_96	1	B - Black/Black
3	KIT NOZZLE COVER F Y	5421_97		Y - Yellow/Black
4	SCREW	5421_315	1	
5	SCREW	5421_318	1	
6	CLOSING RING	5421_31_M1	1	
7	LEVER FULCRUM	5421_67	1	
8	FULCRUM BUSH	5421_71	2	
9	SCREW	5421_317	2	
10	QR CODE STICKER	5421_61	1	
11	LPG STICKER	LPG_0111	1	
12	O-RING 0120-20	5421_361	2	

N.	Description	Code	Qt.	Note
13	SAFETY RING	5421_34	1	
14	FERRULE M30 X 1.5	5421_35_M2		
15	FERRULE 1" GAS	5421_37_M2	1	
16	FERRULE 3/4 NPT	5421_38_M2		
17	O-RING 3100	5421_341	1	
18	O-RING 4112	LPG_0204	1	
19	THRUST SLEWING RING	5421_33	1	
20	SWIVEL JOINT SAFETY RING	5421_59	1	
21	SEEGER DIN 471-11 A2	5421_311	1	
22	COMPLETE H LEVER	5421_12		hooking
23	COMPLETE E LEVER	5421_15		joint
24	COMPLETE S LEVER	5421_21		standard
25	COMPLETE F LEVER	5421_22		french support
26	H LEVER	5421_64	1	
27	S LEVER	5421_65	1	
28	DICE ISO 4035 M4-8	5421_312	2	
29	SCREW TSEI M3X10	5421_313	1	for lever H
30	MAGNET	5421_301	2	for lever H

N.	Description	Code	Qt.	Note
31	MATCHING HOOK	5421_69	1	for lever H
32	MAGNET D10	5421_302	1	for lever E
33	MAGNET COVER	5421_70	1	for lever E
34	SCREW	5421_314	2	for lever E
35	NOZZLE COVER F C	5421_95		C - Cian/Black
35	NOZZLE COVER F B	5421_96	1	B - Black/Black
35	NOZZLE COVER F Y	5421_97		Y - Yellow/Black
36	SUPPORT PIVOT FR	LPG_0211	1	for FR supp.
37	SPACER	5421_74	2	for FR supp.
38	HOOING DICE FR	LPG_0210	2	for FR supp.
39	TRIGGER KIT	5421_347		
40	TRIGGER PIN	5421_68	1	
41	TRIGGER	5421_62	1	
42	TRIGGER SPRING	5421_63	1	

