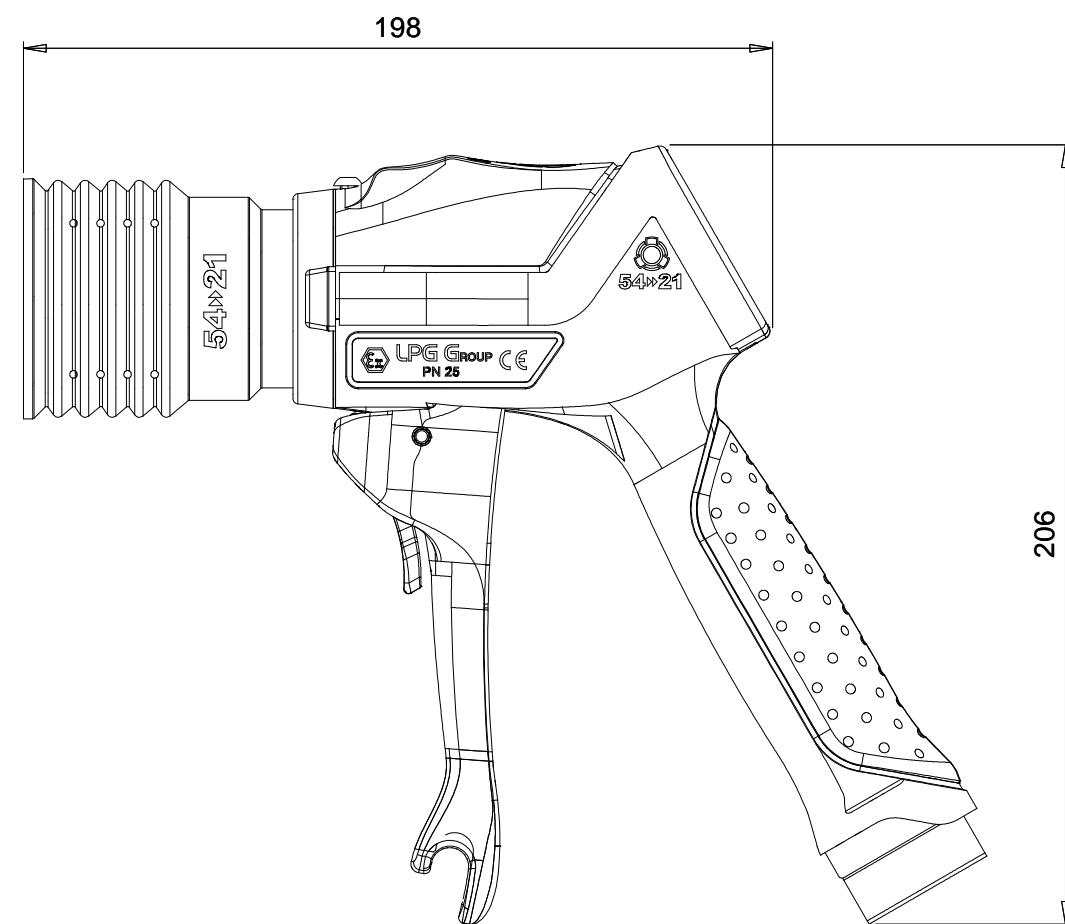
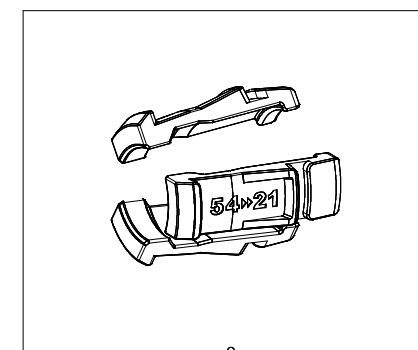


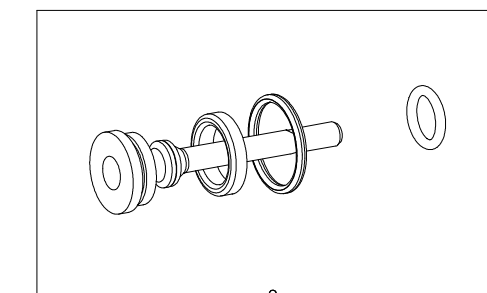
5421 DISH



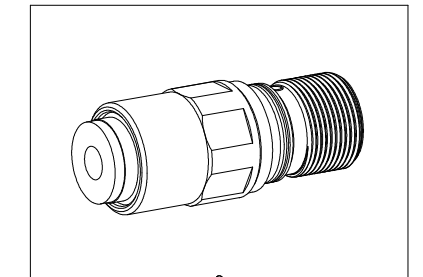
Maximum operating pressure	25 Bar
Static test	40 Bar
Dynamic test	25 Bar
Maximum flow rate	40 l/min 8 Bar
Release of gas when disconnected	0,98 cm ³
Operating temperature	-30 °C - +60 °C
Weight	1,3 Kg
Type of coupling	Italia/Dish Rif. (EN 13760)
Hooking on car	Hammer 5421
Swivel connexion	1" GAS-3/4NPT-M30x1,5
Sleeve made of anti-spark material	
Antistatic body and plastic materials	
Possibility of working	Liquid GAS; Propane; Butane; Mixtures
Standard / Norms	EN 13760. EN12806
Explosion hazard zones	Group II, Zone G2



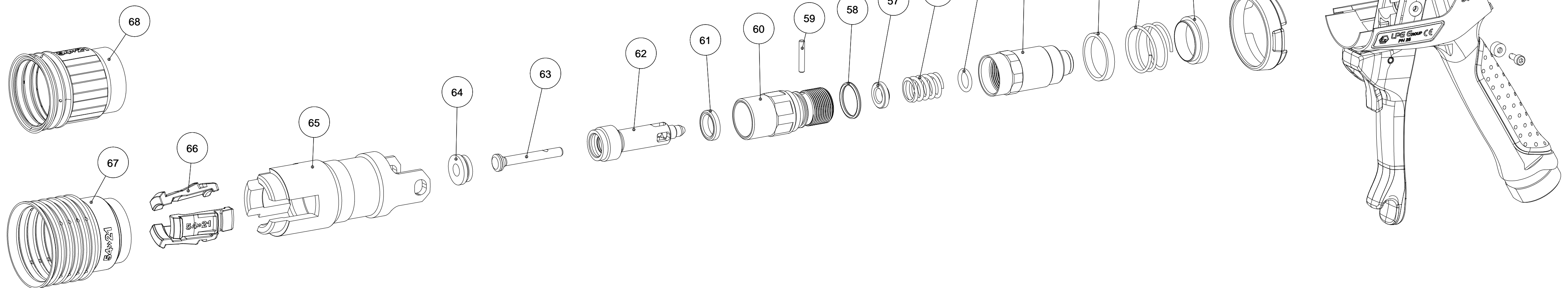
69



70



71



N.	Description	Code	Qt.	Note
51	SHAVING RING	5421_121_M1	1	
52	RETURN SPRING	5421_123	1	
53	SHAVING RING	5421_122_M1	1	
54	VALVE BODY	5421_115_M2	1	
55	O-RING 115	5421_331	1	
56	VALVE SPRING	5421_125	1	
57	WASHER	5421_124	1	

N.	Description	Code	Qt.	Note
58	O-RING 128	5421_333	1	
59	HEAD PIN	5421_305	1	
60	HEAD VALVE DISH	5421_116	1	
61	LIP GASKET DI062	LPG_0207	1	
62	VALVE PLUNGER DISH	5421_117_M1	1	
63	VALVE PIN 118	5421_375_M1	1	
64	PISTON GASKET	5421_120	1	

N.	Description	Code	Qt.	Note
65	DISH SLEEVE	5421_126_M1	1	
66	5421 DISH HAMMER	5421_128	3	
67	PROTECTIVE DUST COVER PLUS	5421_129	1	
68	PROTECTIVE DUST COVER	5421_127	1	
69	DISH HAMMERS KIT	5421_348	1	
70	DISH GASKET KIT	5421_345	1	
71	HEAD VALVE ASSEMBLED KIT	5421_374	1	

