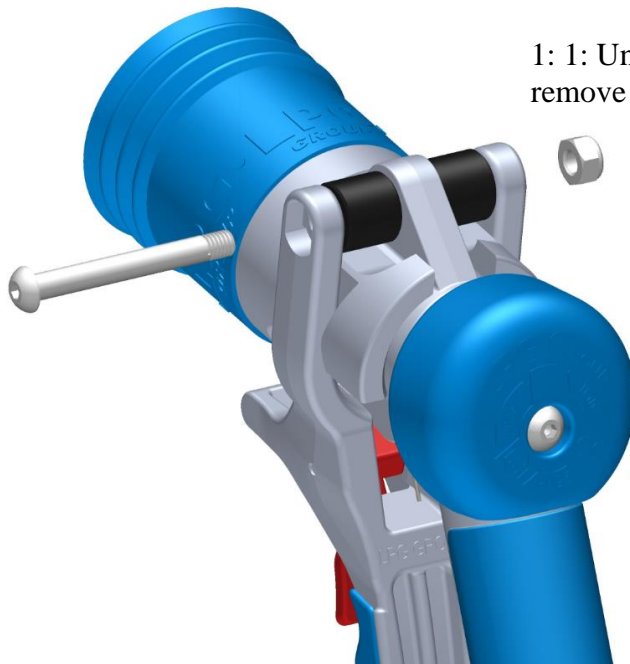
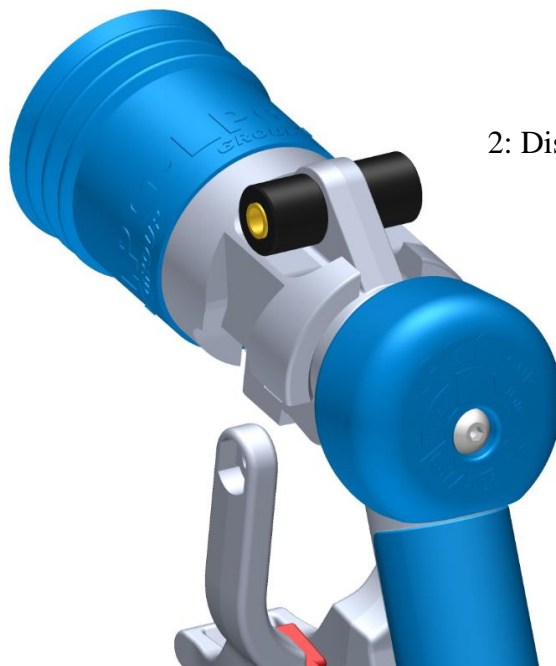


INSTRUCTIONS FOR MOUNTING THE PLATE HOLDER

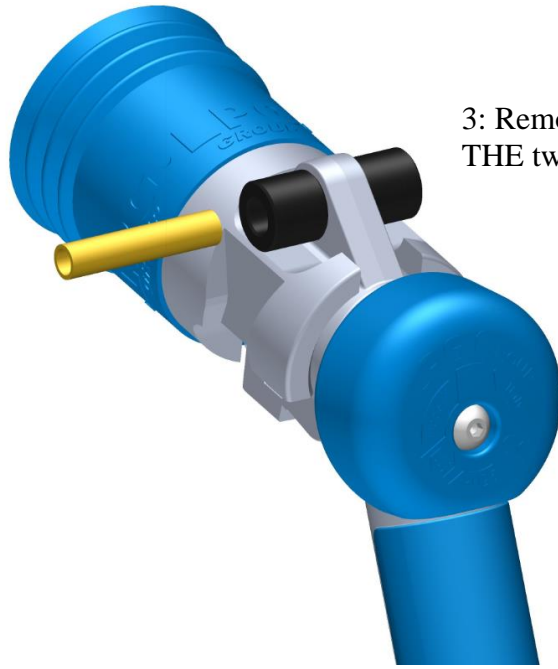
Version : : Serie 800HQ, Serie 700HQ, Serie 500HQ



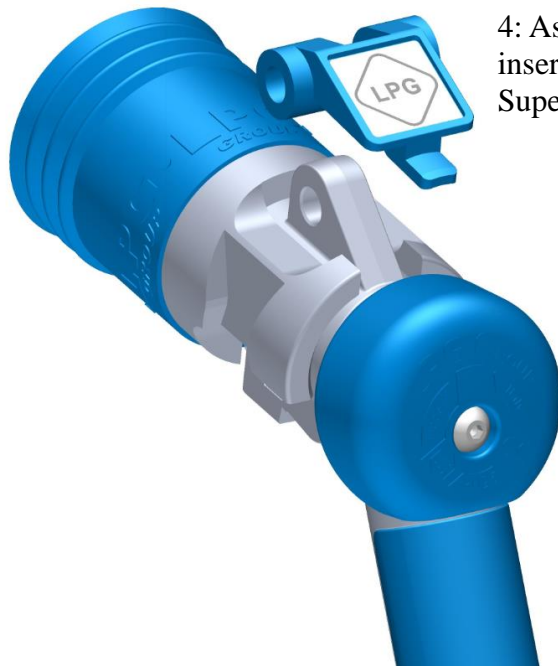
1: 1: Unscrew the fulcrum screw lever and remove the Nut



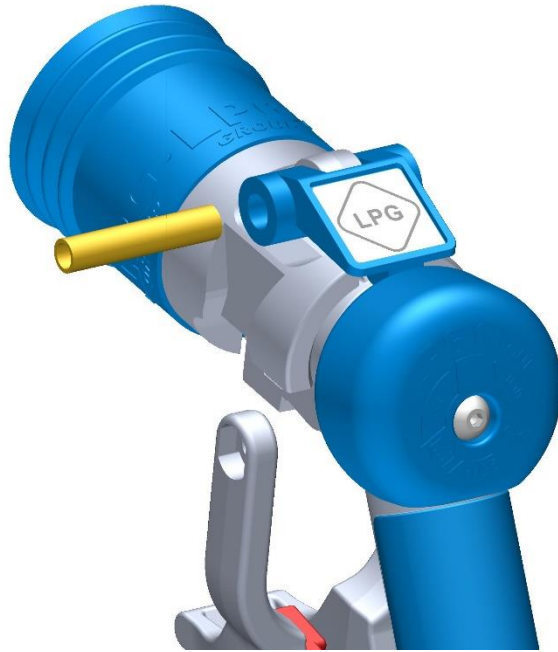
2: Disconnect the Lever Group



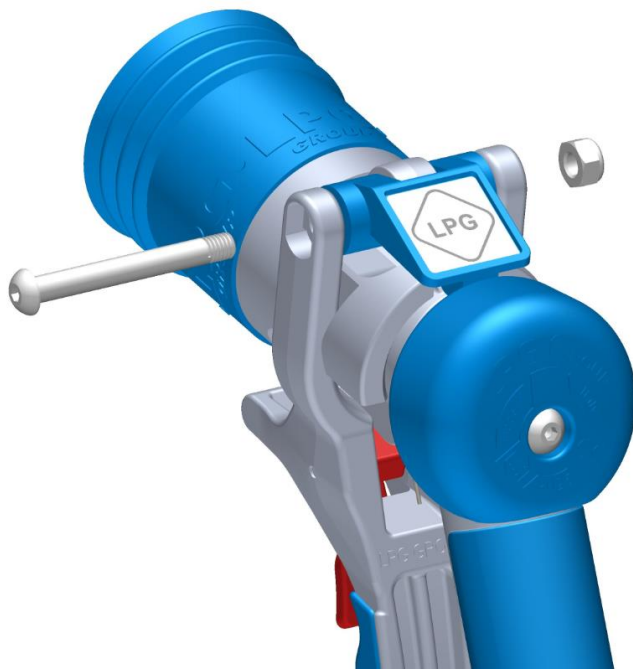
3: Remove the Fulcrum Bushing and
THE two fulcrum spacers



4: Assemble the Nameplate Holder
inserting the tab under the Cap
Superior Protection



5 : Insert the Fulcrum Bushing e
then enter the Lever Group



6 : Screw the fulcrum screw lever
and the Nut