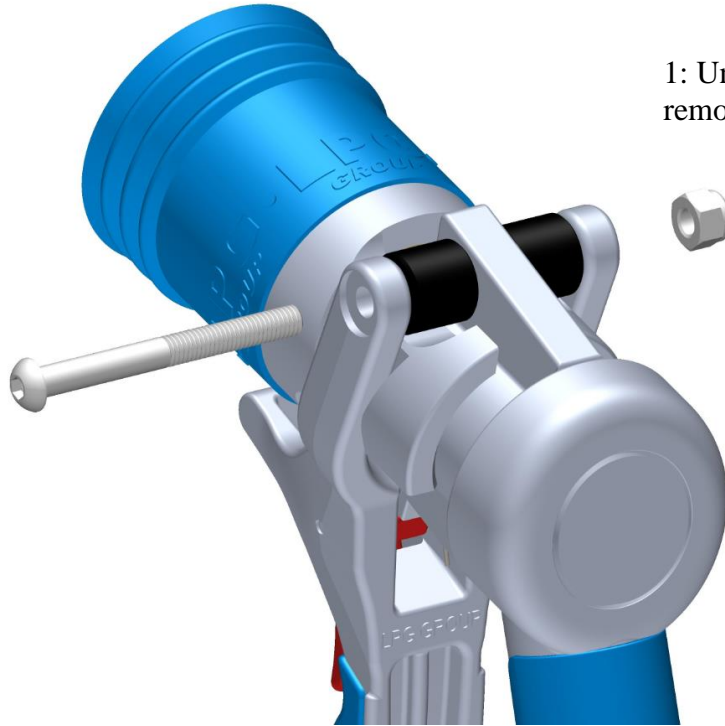
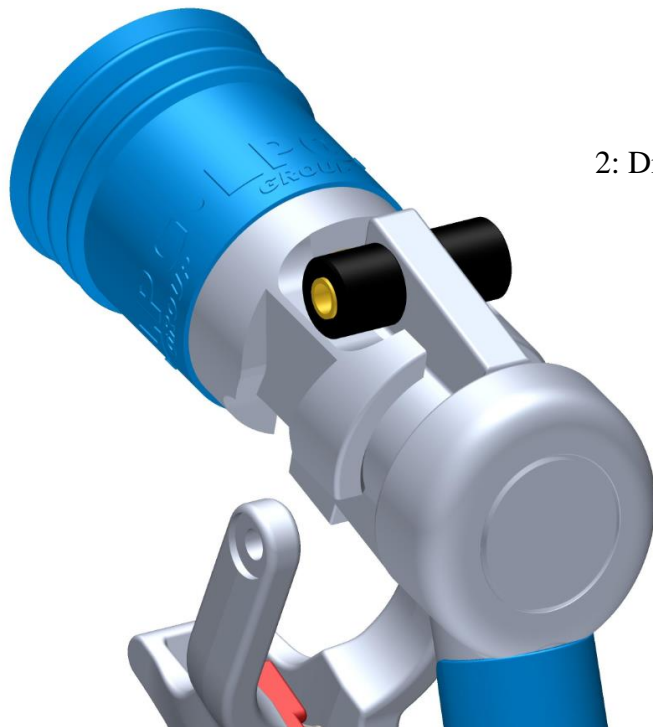


# INSTRUCTIONS FOR MOUNTING THE PLATE HOLDER

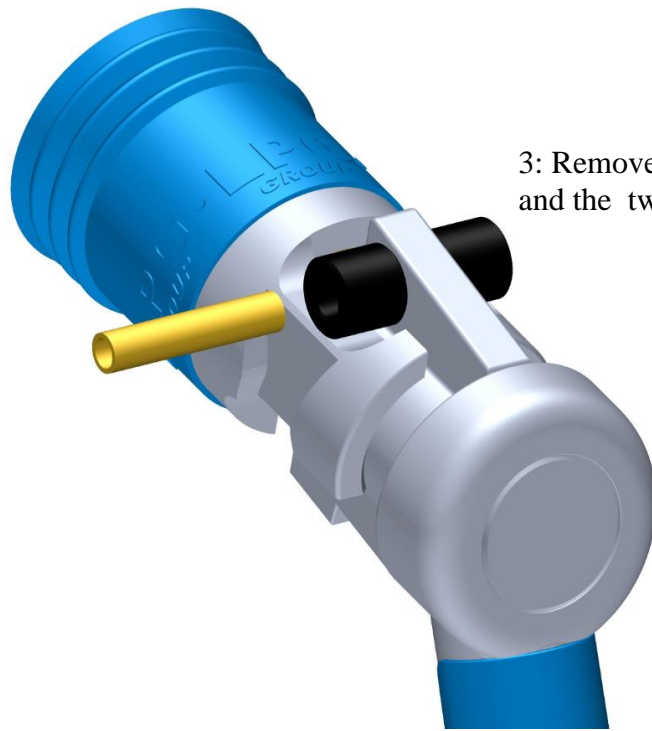
"Version: Serie 800 IT-DISH, Serie 700 IT-DISH, Serie 500 IT-DISH



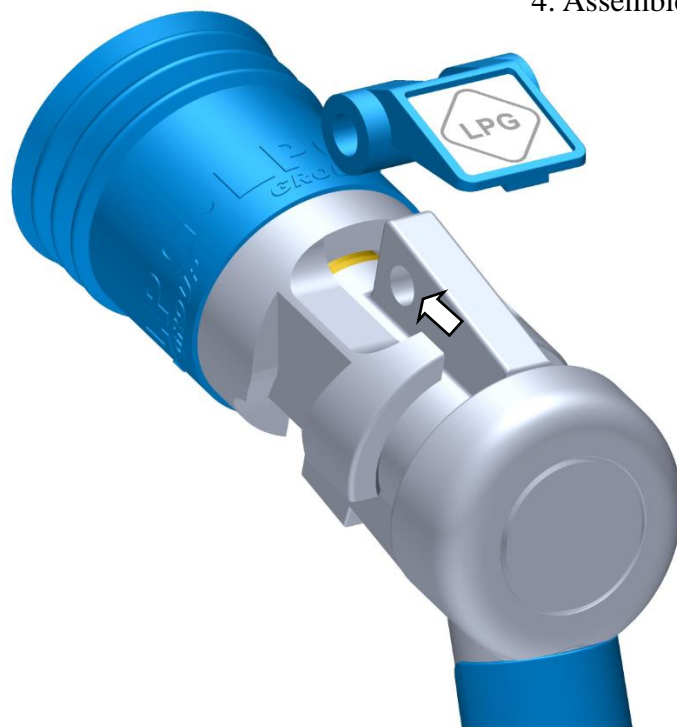
1: Unscrew the fulcrum screw lever and remove the Nut



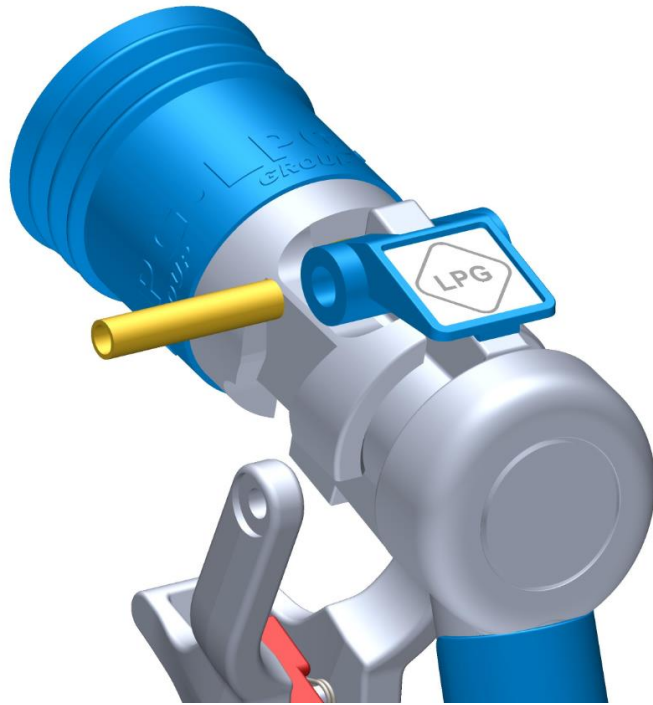
2: Disconnect the Lever Group



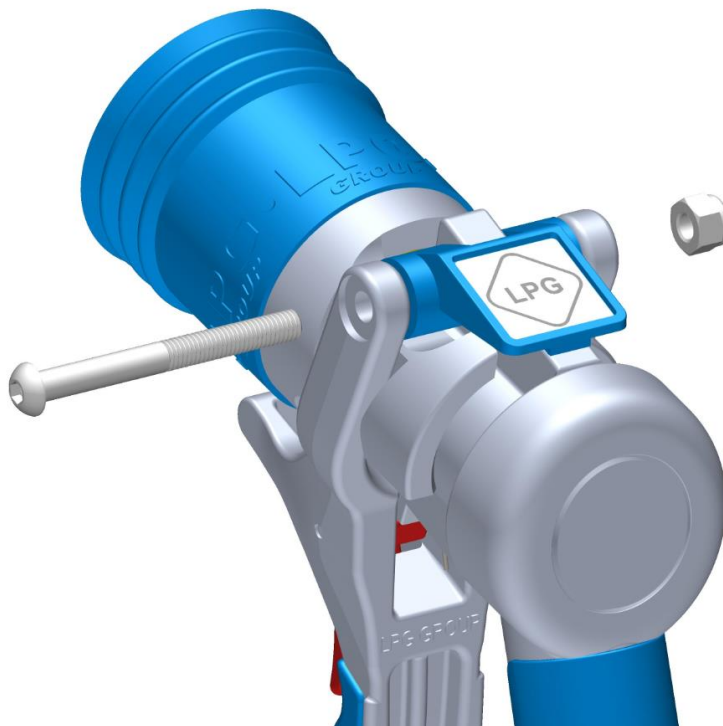
3: Remove the Fulcrum Bushing and the two fulcrum spacers



4: Assemble the nameplate holder



5 . Insert the Fulcrum Bushing e then enter the Lever Group



6: Screw the fulcrum screw lever and the Nut